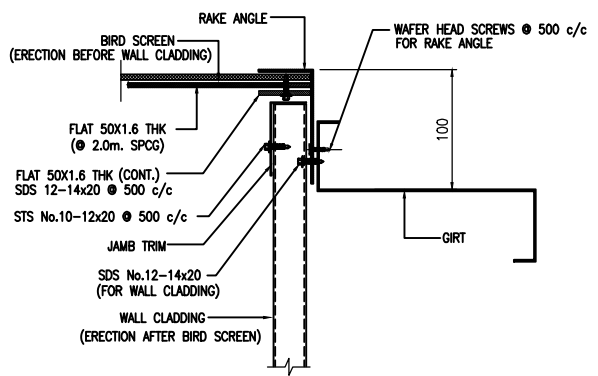


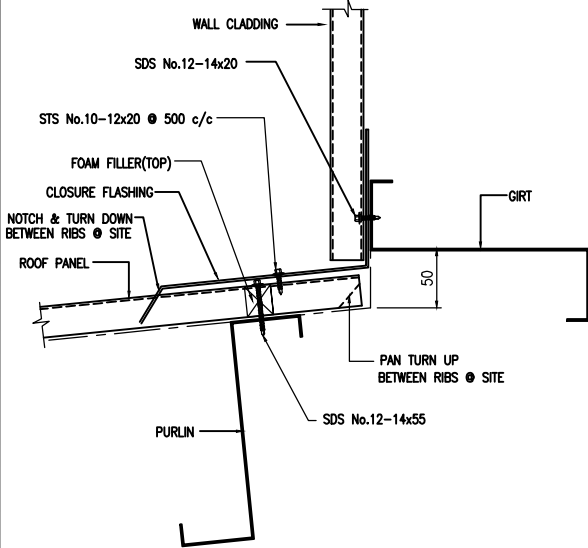
DETAIL - A

RM-6



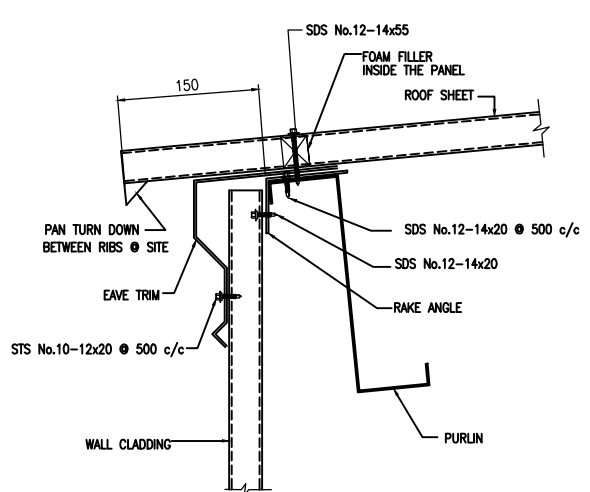
DETAIL - B

RM-7



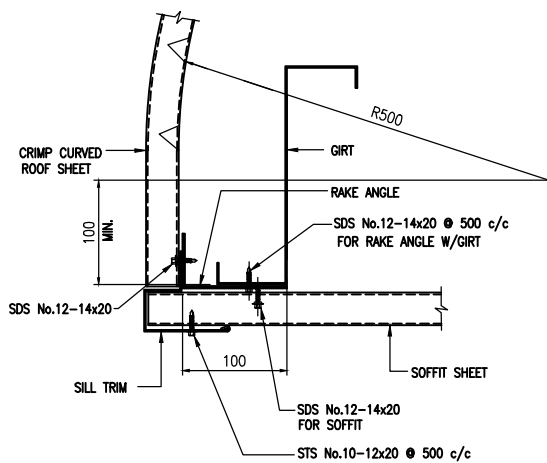
DETAIL - C

RM-8



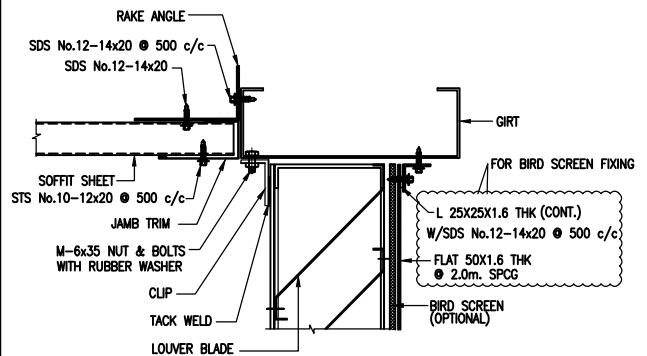
DETAIL - D

RM-9



DETAIL - E

RM-10



DETAIL - F

RM-11

NOTES:-
ROOF SHEET & WALL CLADDING INSTALLATION DETAILS REFER STANDARD DRAWINGS

LEGEND:
SDS - SELF DRILLING SCREW
STS - STITCHING SCREW

Drawn by: JP	Checked by:	Approved by:	Date: 22.05.2013
STD No: STD-RM-04		Rev. No: R-0	